

COMPANY PROFILE



“WE MOVE THE AIR WHEREVER YOU WERE”

INDEX

INTRODUCTION	3
VISION AND MISSION	5
BROCHURE	7
GALLERY	17
CONTACTS	21

INTRODUCTION

Qimma Contracting wholly owned Egyptians company was founded in 2005.

Qimma is one of the specialized companies in the engineering fields, offering to its customers distinctive engineering services, engineering consulting specializing in the fields of the industrial activities, which includes design, installation and maintenance as well as providing technical support through the application and following engineering trends, latest technology, and scientific methods in the implementation of projects which permit the provision of quality service to its customers and to keep special continuous link with their customers.

Since its incorporation in 2005, has experienced rapid successive growth and high scaled projects within such a short period which is due to our unique services and excellence customer satisfaction Level at every project.

Is committed in motivating and rewarding its employee and developing their skills.

MISSION & VISION

Our Vision

- To be the pioneer in the execution of industrial and infrastructure projects with a commitment of high quality, competitive price and on time completed projects. This is done by utilizing all resources of the company, the application of international standards, knowledge and experience, and in meantime keep up with the rapid technological progress.
- Expanding the customer base through quality implementation of projects so as to maintain the ongoing link with customers.
- Providing innovative engineering solutions to solve the problems of our valuable clients especially in the industrial sector, while achieving the goal of maintaining the economic value of high-quality product.
- Providing the best engineering products through our partnerships with the international experience to achieve the competitive desired and challenging level of services and prices.

MISSION & VISION

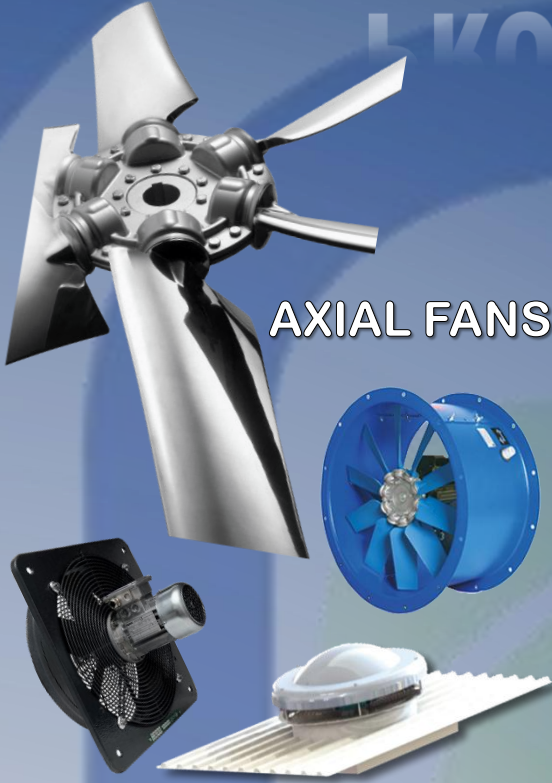
Our Mission

- Providing excellent and unique services and products to our customers.
- Following recent innovative engineering trends and technology through the optimum utilization of the partnership and exchanging foreign experiences.
- Measuring, monitoring, analyzing the processes and actions required to accomplish the planned results and continual improvement to build effective quality system into our company.
- Responsibility towards society by sharing our community members and clients to participate in the economic growth.

Brochure

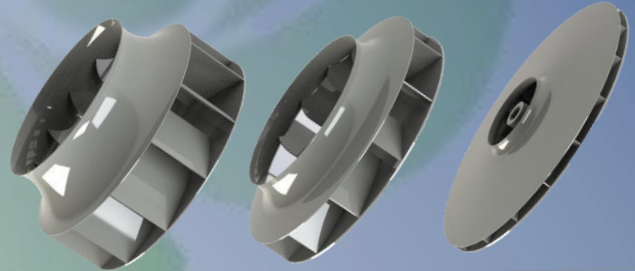
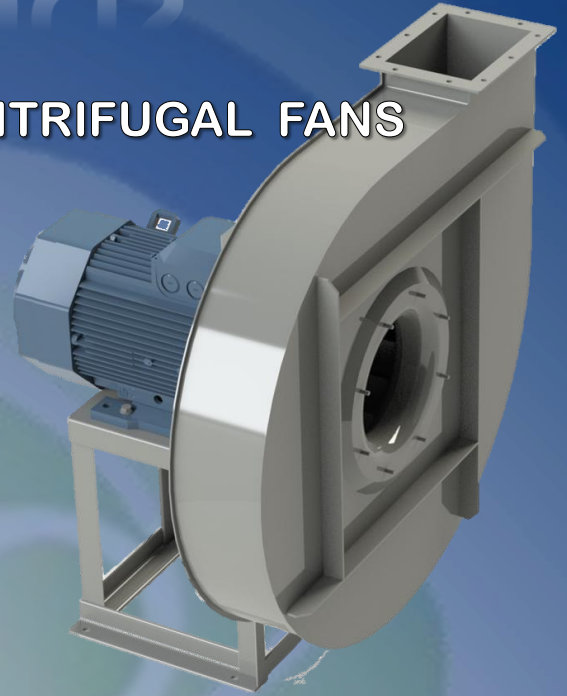
*“WE MOVE THE AIR
WHERE EVER YOU
WERE”*

PRODUCTS

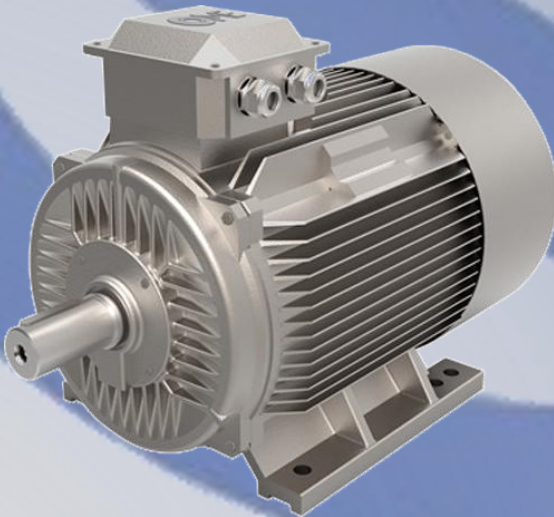


AXIAL FANS

CENTRIFUGAL FANS



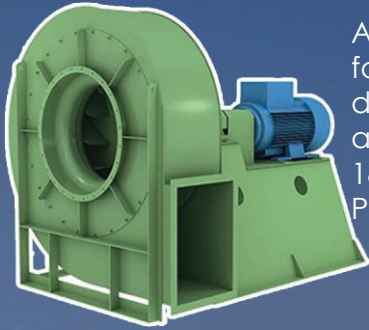
ELECTRIC MOTORS



ANTI CHEMICAL FANS



PRODUCTS



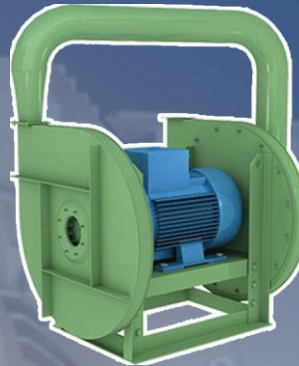
APR./N8 High pressure fan used for clean and dusty air with huge air flow up to 180,000 m³/hr @ 18,000 Pa



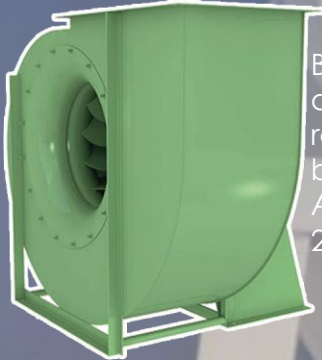
EUc/EUMc High efficiency suitable for granulated material handling and saw dust. Air flow up to 170,000 m³/hr @ 10,000 Pa Working temperature up to 350 °C



EVc Suitable for suction fumes safety guarantee against danger of fire-spark proof material. Air flow up to 100,000 m³/hr @ 1000 Pa



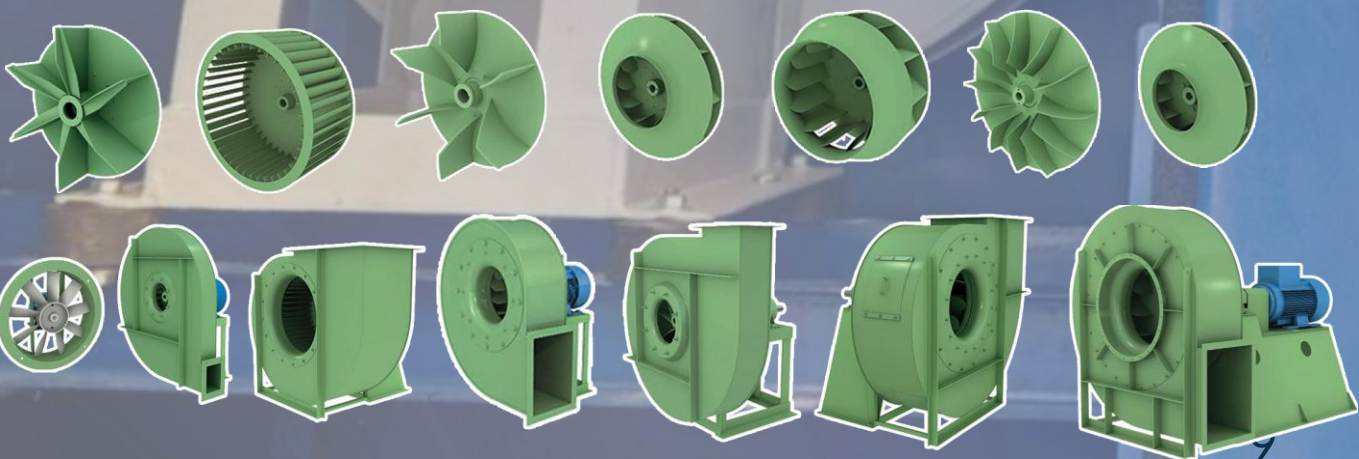
APRD Double stage extra high pressure fan used for clean and dusty air. Air flow up to 24,000 m³/hr @ 45,000 Pa



BPRc Centrifugal low and medium pressure reverse blade impeller, belt drive. Air flow up to 216,000 m³/hr @ 5000 Pa



APR Centrifugal high pressure, high efficiency suitable for pneumatic conveyor, cement, foundries and oil burner. Air flow 60,000 m³/hr @ 20,000 Pa



PRODUCTS



CENTRIFUGAL INLINE FANS

SMOKE FANS (200,300, 400° C/2hr)



DOMESTIC FANS

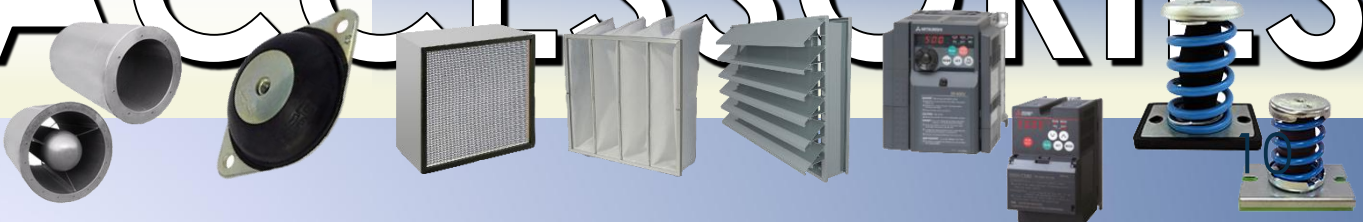
JET FANS



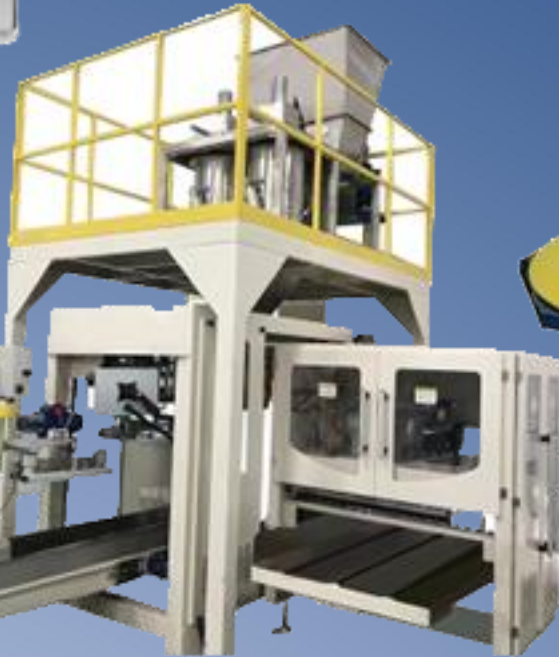
ATEX FANS



ACCESSORIES



PRODUCTS



PRODUCTS

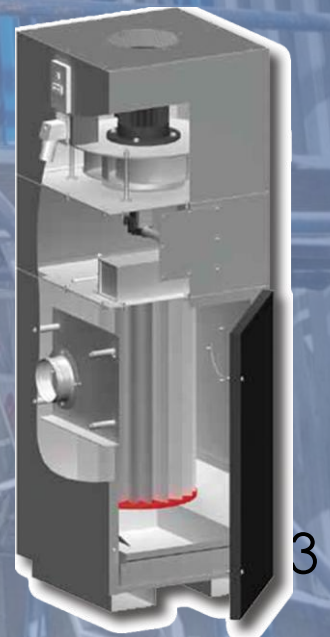
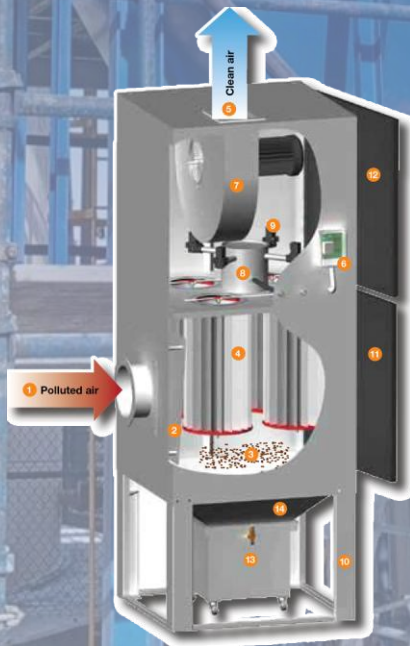


COOLING TOWERS



PRODUCTS

DUST COLLECTOR & WET SCRUBBER & VACUUM CLEANER



PRODUCTS

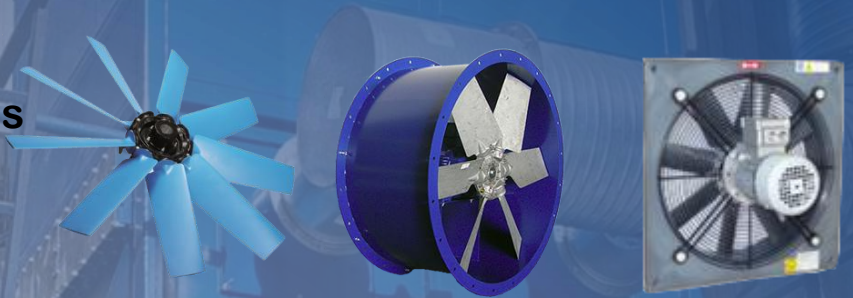
Duct Works, Fittings & Accessories



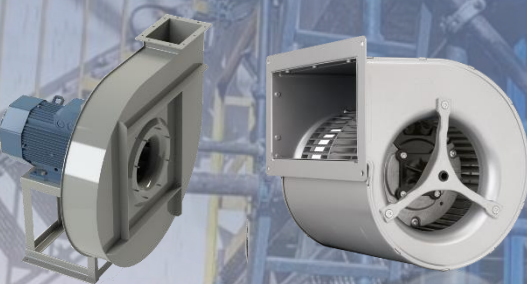
PRODUCTS & SERVICES

- Supply and install Mechanical Works
- Supply and install Central Air Conditioning Systems

- Axial Fans
- Wall Mounted Fans
- Inline Fans
- Roof Top Fans
- Boxed Axial Fans



- Centrifugal Fans -
- (High/Medium/Low) Pressure Fans •
- (Forward/Backward) Fans •
- (SISW/DIDW) Fans •
- Boxed Centrifugal Fans •
- Anti-chemical Fans •



- Smoke Fans
(200°C/300°C/400°C)



- Pressurization Fans -
- Jet Fans -
- Decorative Fans -
- ATEX (Explosion proof) Fans -
- Cabinet Fans -



PRODUCTS & SERVICES

- HEAT RECOVERY UNITS
 - Air Curtains
 - Dust Collectors
 - Wet Scrappers

- Cooling Towers
 - Nozzles
 - Fill Media

- Electric Motors
 - (High/Medium/Low) Voltage
 - (EX-Proof (ATEX)/Smoke)
 - (IE1/IE2/IE3)

- Duct Works & Fitting
 - Air Inlet Louvers
 - Air Outlets & Air Grills

- Ventilation Systems Maintenance
 - Fan Balance Test
 - Vibration Analysis Test
 - Fan Performance Test

PRODUCTS & SERVICES

Fabrication Section

- CNC machining
- Dynamic balancing
- Steel works
- Spare parts fabrications

Packaging Section

1. VFFS machines supply
2. HFFS machines supply
3. Filling machines supply
4. Bagging machines supply
5. Stretch wrapping machines supply
6. Shrink wrapping machines supply
7. Vertical hooding machines supply
8. Strapping machines supply
9. Turn-key projects
10. Packaging consultation, including:
 - Packaging material optimization
 - Packaging operation saving projects
 - Headcount optimization
 - Packaging OEE improvement
 - Packaging technical training (material & machinery)

Prequalification



United Accredited Company
شركة المعتمدون للتجارة والصناعة المحدودة



عديع
EIDSTEEL



Yanbu Cement
اسمنت ينبع



محمود سعيد
MAHMOOD SAEED



شركة اليمامة للصناعات الحديدية
Al Yamamah Steel Industries Company

عالم
حافولا



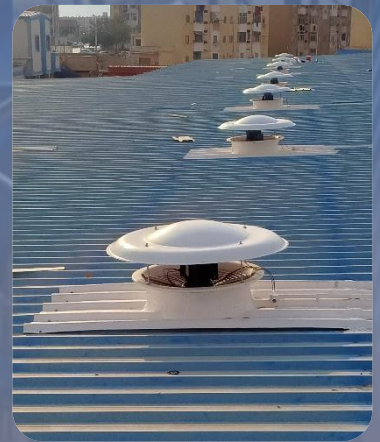
الجميل العالمية
AI JAMEEL INTERNATIONAL

المملكة العربية السعودية | الإمارات العربية المتحدة

GALLERY



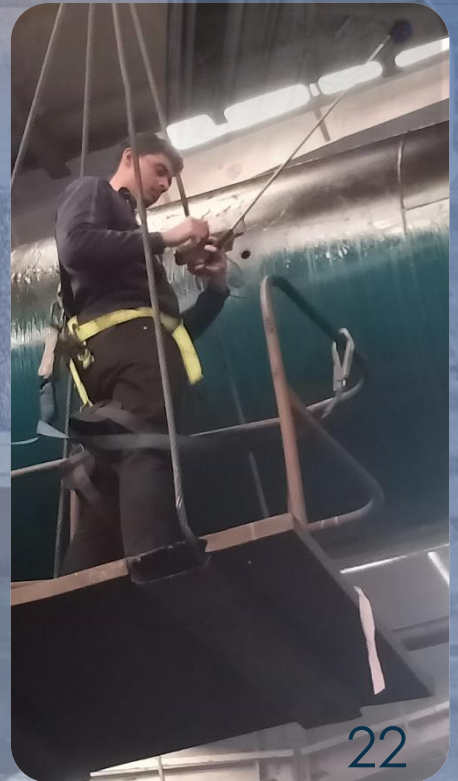
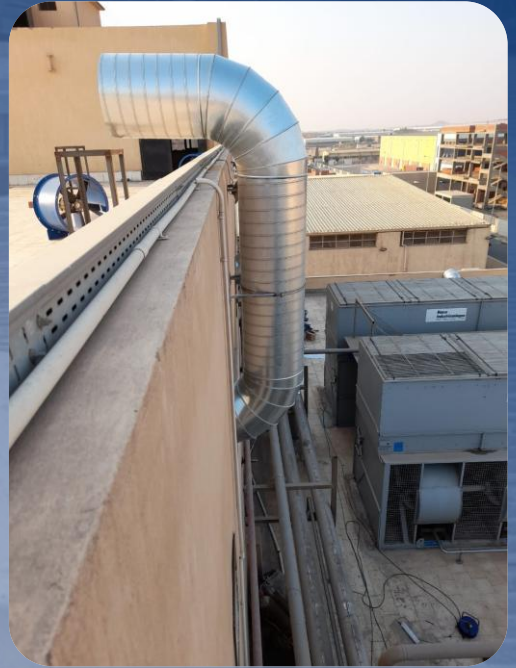
GALLERY



GALLERY



GALLERY



GALLERY





CONTACT US



SAUDI ARABIA

📍 6587 Faidh Al Samaa st., Ar Ruwais dirt., Jeddah

☎ +966 053 044 87 43 +966 057 678 21 48 +966 568 065 369



EMIRATES

📍 Bur Dubai , United Arab Emirates

☎ +971 55 43 40 818



EGYPT

📍 4 Qada Buildings , 503 st, New Maadi , Cairo

☎ +20 101 44 39 28 3 +20 1111 66 33 76

